

WARRANTY

Within 30 days of purchase: Return to retailer from which you purchased for repair or replacement.

Within 5 years of purchase: Return to Olight for repair or replacement.

This warranty does not cover normal wear and tear, modifications, misuse, disintegrations, negligence, accidents, improper maintenance, or repair by anyone other than an Authorized retailer or Olight itself.



Technical Support Inquiries

techsupport@olightworld.us

Customer Service

cs@olightworld.us

Visit www.olightworld.com to see our complete product line of portable illumination tools.

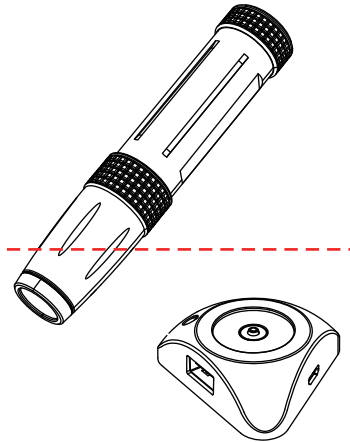


Olight Technology Co., Limited
2/F East, Building A, B3 Block, Fuhai
Industrial Park, Fuyong, Bao'an District,
Shenzhen, China 518103
MADE IN CHINA

V1. NOV. 26, 2014



I7R EOS RECHARGEABLE KEYCHAIN LED FLASHLIGHT USER MANUAL



Thank you for purchasing the Olight i7R EOS flashlight! Please read this manual carefully before using this product.

INSIDE THE BOX:

i7R EOS, (2) o-rings, 10440, charge-dok, USB cable, key chain pendant, user manual.

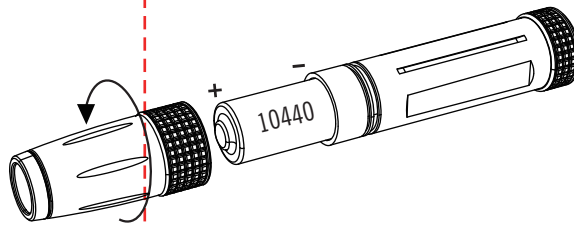
BATTERY INSTALLATION

Ensure battery is inserted with the positive (+) end pointing to the head. The i7R EOS will not operate with incorrectly inserted batteries.

SUPPORTED BATTERIES

- 1 x 10440 (included)

Can be powered by a non-rechargeable AAA battery as a last resort option in case of an emergency.



TWIST TO REMOVE

WARNING:

Do not attempt to place the flashlight with a non-rechargeable battery on charging base.

HOW TO OPERATE

ON/OFF: Tighten the head to turn flashlight on.

CHANGE BRIGHTNESS LEVEL (FIG A)

When installation battery, the anode should face flashlight head. During the process of screwing the head, the output will change from low to high. After linked with key chain pendant, the lighting flashlight will automatically turn off. When taken from key chain pendant, the flashlight will automatically turn on.

BATTERY CHARGING: (FIG B) To charge the flashlight, place the flashlight on the top of charging dock, connecting via the magnet, the tail end of the light to the charging dock. Plug in the Micro-USB charging cable into the Micro-USB charging port. Contact the Micro-USB cord to a USB power supply or computer USB port to charge. The charging indicator will light up to show the light is charging. When the flashlight is fully charged the charging indicator will turn green.

FLASHLIGHT SPECIFICATIONS

OUTPUT & RUNTIME	
HIGH	120 LUMENS / 25min
LOW	1 LUMENS / 17h
LED	CREE XP-G2
VOLTAGE	0.8V TO 4.2V
CANDELLA	150 CD
BEAM DISTANCE	24 METERS/ 79 FEET
BATTERY TYPE	1 x 10440
WATERPROOF	IPX7 (UP TO 1 METER)
IMPACT RESISTANCE	1.5 METERS
DIMENSIONS	L 68mm x D 14mm / 2.68 in x 0.55 in

All performance claims to ANSI/NEMA FL1-2009 Standard.

CHARGING DOCK SPECIFICATIONS

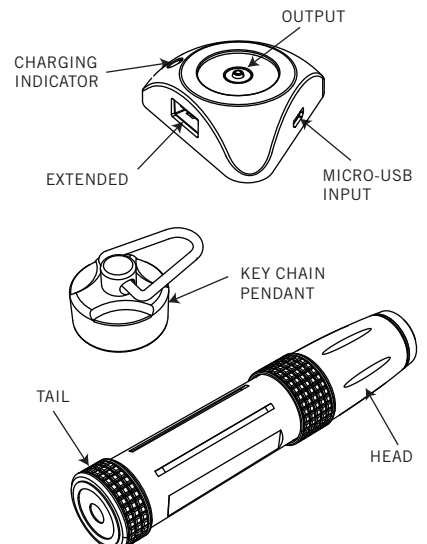
WEIGHT	24g / 0.85 oz
INPUT	DC 5V
OUTPUT	4.55V, 250mA
DIMENSIONS	55 x 50 x 16mm / 2.17 x 1.97 x 0.63 in



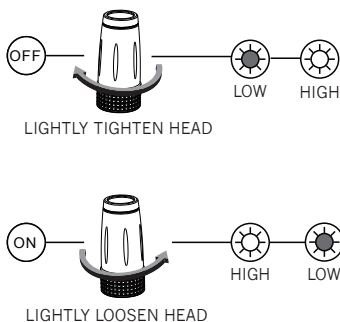
BATTERY AND SAFETY WARNINGS:

- DO NOT CHARGE NON-RECHARGEABLE BATTERIES.
- Do not use unsupported batteries with this flashlight.
- Use caution on high outputs or long runtimes as flashlight may get hot.

PRODUCT PARTS



(FIG A)



(FIG B)

